



# *HYDRAULIC MOTOR REDUCTION UNIT MG5-V*



| TYPE                           |                 | MG5    |        |        |        |        |        |
|--------------------------------|-----------------|--------|--------|--------|--------|--------|--------|
| SIZE                           |                 | 300    | 400    | 500    | 630    | 800    | 960    |
| DISPLACEMENT<br>per OUTPUT rpm | cm <sup>3</sup> | 1540.0 | 1910.0 | 2500.0 | 3145.0 | 4005.0 | 4800.0 |
|                                | in <sup>3</sup> | 94.0   | 119.0  | 152.5  | 192.0  | 244.5  | 293.0  |
| MAX. OUTPUT<br>SPEED           | rpm cont.       | 102    | 100    | 80     | 63     | 50     | 40     |
|                                | rpm int.        | 126    | 120    | 96     | 76     | 60     | 50     |
| MAX. OUTPUT<br>TORQUE          | Nm cont.        | 4600   | 5900   | 7300   | 8300   | 9375   | 7475   |
|                                | lbf.in cont.    | 40710  | 52215  | 64605  | 73455  | 82968  | 66153  |
|                                | Nm int.         | 5550   | 7050   | 8800   | 9700   | 10550  | 10625  |
|                                | lbf.in int.     | 49117  | 62392  | 77880  | 85845  | 93367  | 94031  |
| MAX. PRESSURE<br>DROP          | bar cont.       | 175    | 175    | 175    | 180    | 160    | 105    |
|                                | psi cont.       | 2540   | 2540   | 2540   | 2610   | 2320   | 1522   |
|                                | bar int.        | 240    | 240    | 240    | 210    | 180    | 150    |
|                                | psi int.        | 3480   | 3480   | 3480   | 3045   | 2610   | 2175   |
| MAX. OIL FLOW                  | lpm cont.       | 160    | 190    | 200    | 200    | 200    | 190    |
|                                | gpm cont.       | 35     | 42     | 44     | 44     | 44     | 42     |
|                                | lpm int.        | 195    | 230    | 240    | 240    | 240    | 240    |
|                                | gpm int.        | 43     | 51     | 53     | 53     | 53     | 53     |

**Maximum continuous output torque 9375Nm 82968lbf.in**

**Reduction Ratio 5:1**

### **Basic Motor Detail**

**Mineral based hydraulic fluids with anti-wear additives are recommended with a viscosity of 35 mm<sup>2</sup>/s at a temperature of 50°C.**

**Minimum recommended oil viscosity 13 mm<sup>2</sup>/s at operating temperature.**

**Recommended oil cleanliness ISO 19/14 with a nominal filtration of 25micron or better.**

**Where non-flammable fluids are to be used it is advisable to consult our Technical Department.**

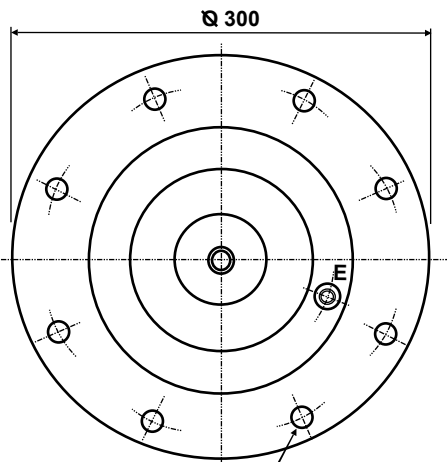
**Ambient temperature should be between -30°C and +90°C.**

**Normal operating temperature should be between +30°C and +60°C.**

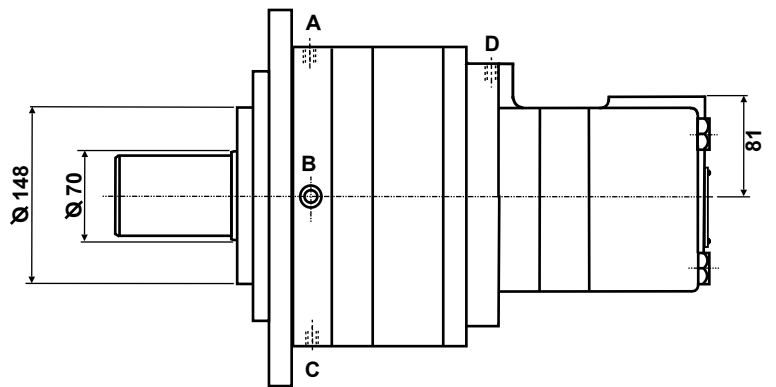
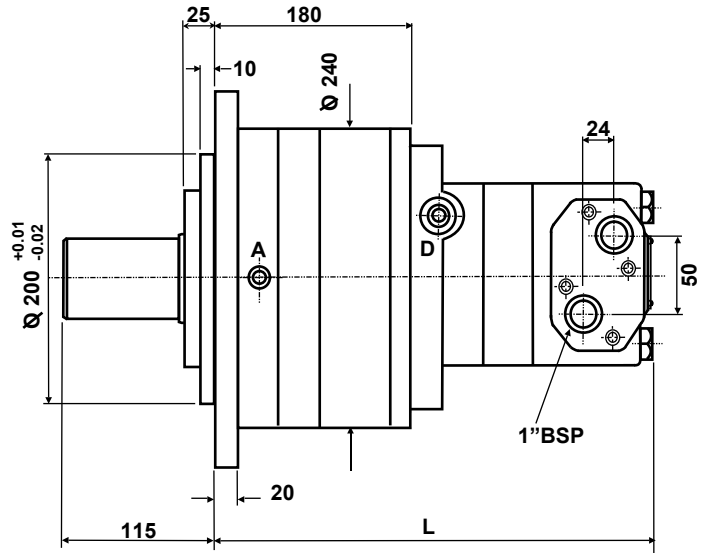
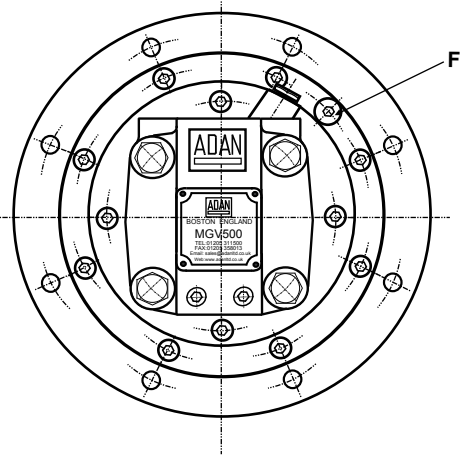
**Maximum operating temperature +85°C.**



POWERING YOUR WORLD



8 HOLES EQUI-SPACED ON 270 PCD  
DRILL Ø 12.5 THRU



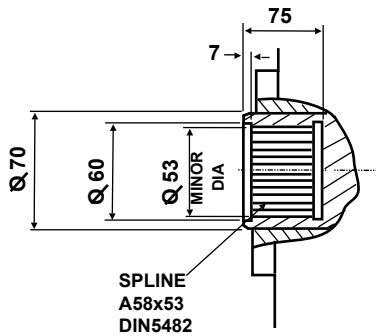
Ports A,B,C,D,E & F alternative gearbox drain connections 1/4" BSP. Standard units supplied with five plugs & transit plug. For sealed units four ports plugged the other fitted with a breather.

**For Motor performance see MV performance graphs**

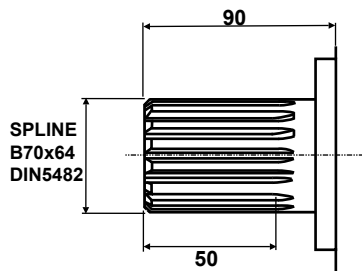
| MGV-5                  | 300 | 400 | 500 | 630 | 800 | 960 |
|------------------------|-----|-----|-----|-----|-----|-----|
| DIM <sup>N</sup> -L mm | 358 | 364 | 374 | 384 | 398 | 411 |
| WEIGHT Kg              | 95  | 96  | 97  | 98  | 100 | 104 |

**SHAFT VARIANTS**

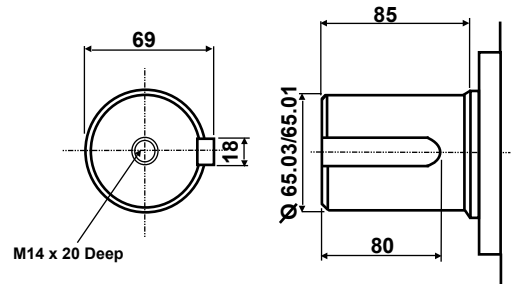
**MGV SERIES**



SHAFT TYPE 'F'

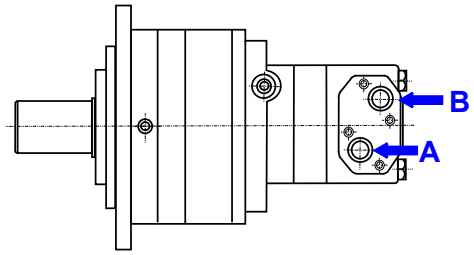
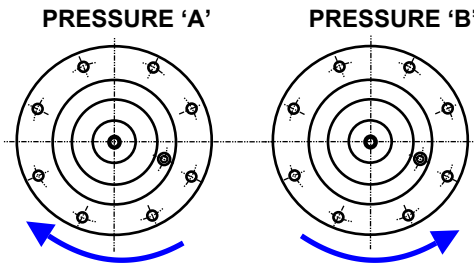


SHAFT TYPE 'SP'

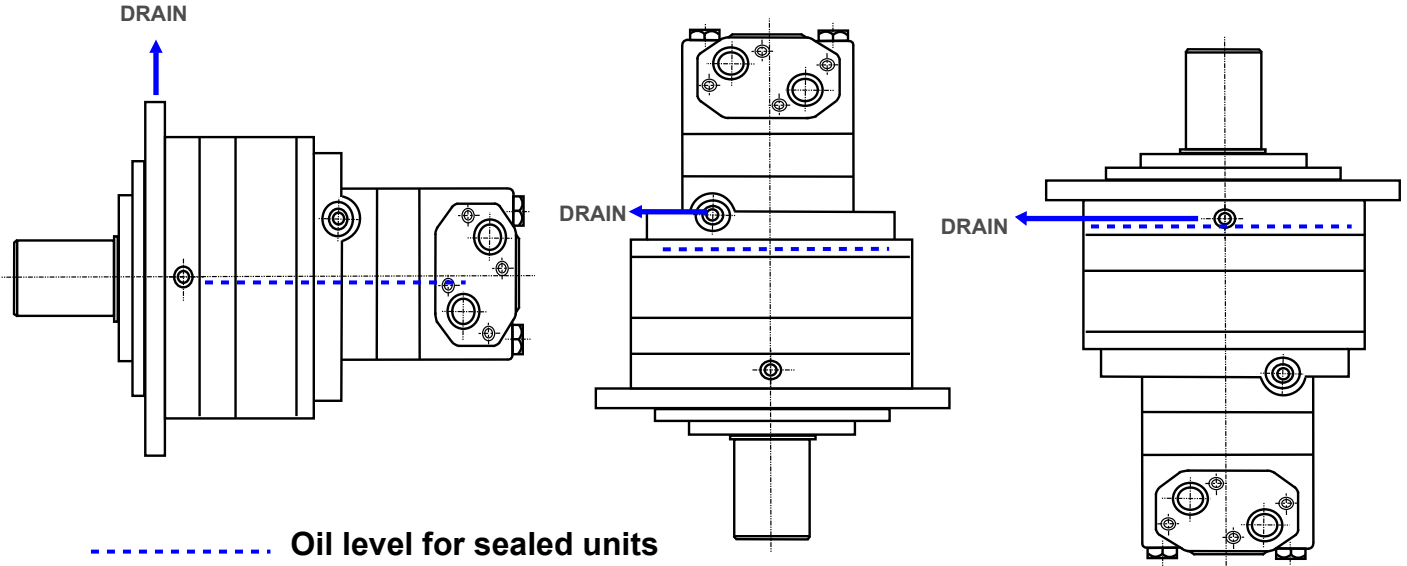


SHAFT TYPE 'M'

SHAFT ROTATION



MOUNTING POSITIONS



..... Oil level for sealed units

Standard units must be drained to tank from the highest point as shown. Sealed motor units fit breather in highest point and fill gearbox to level indicated ..... using an EP oil with anti foaming additives, Select the grade appropriate to temperature from the chart based on ISO 3448. It is recommended to replace oil after first 50 hours, then every 1000 hours or 6 months.

| Viscosity  | Ambient Temperature °C |
|------------|------------------------|
| ISO VG 150 | -10 > +30              |
| ISO VG 220 | +10 > +45              |
| ISO VG 320 | +30 > +60              |

ORDERING CODE

