

NEW

SVM103

Hydraulic joystick

walvoil
FLUID POWER E|MOTION



walvoil
FLUID POWER E|MOTION

A member of



SVM103

Hydraulic joystick



- Designed for Blade control**
- Very compact size**
- Maximum integration with Walvoil BWH handle**

Walvoil presents the new SVM103 single axis hydraulic joystick, especially designed for Blade control on Mini/Midi-excavator applications.

This small size joystick is suitable for cabin installation with minimum space: the configuration with Walvoil BWH handle emphasizes its compactness and functionality.

SVM103 can use all the pressure control curves of the SVM series standard range.

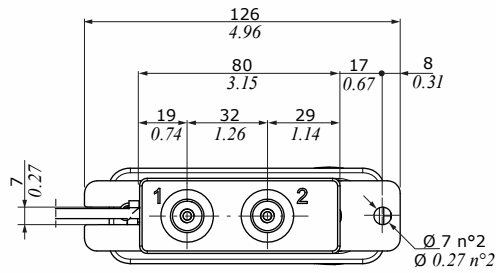
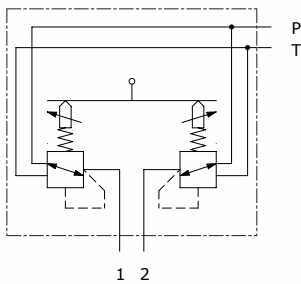
WORKING CONDITIONS

Min. pressure	30 bar - 435 psi
Max. pressure	100 bar - 1450 psi
Max. rated flow	20 l/min - 5.28 Us gpm
Hydraulic fluid	Mineral based oil
Kinematic viscosity	3 - 400 mm ² /s - 3 - 400 cSt
Operating temperature	-10/+80°C - 14/+176°F
Contamination	15/12 (ISO/DIN 4406)
Histeresis max.	0.5 bar - 7.25 psi
Max. internal leakage P→T, 30 bar (435 psi)	9 cm ³ /min - 0.54 in ³ /min

NEW

Dimensions

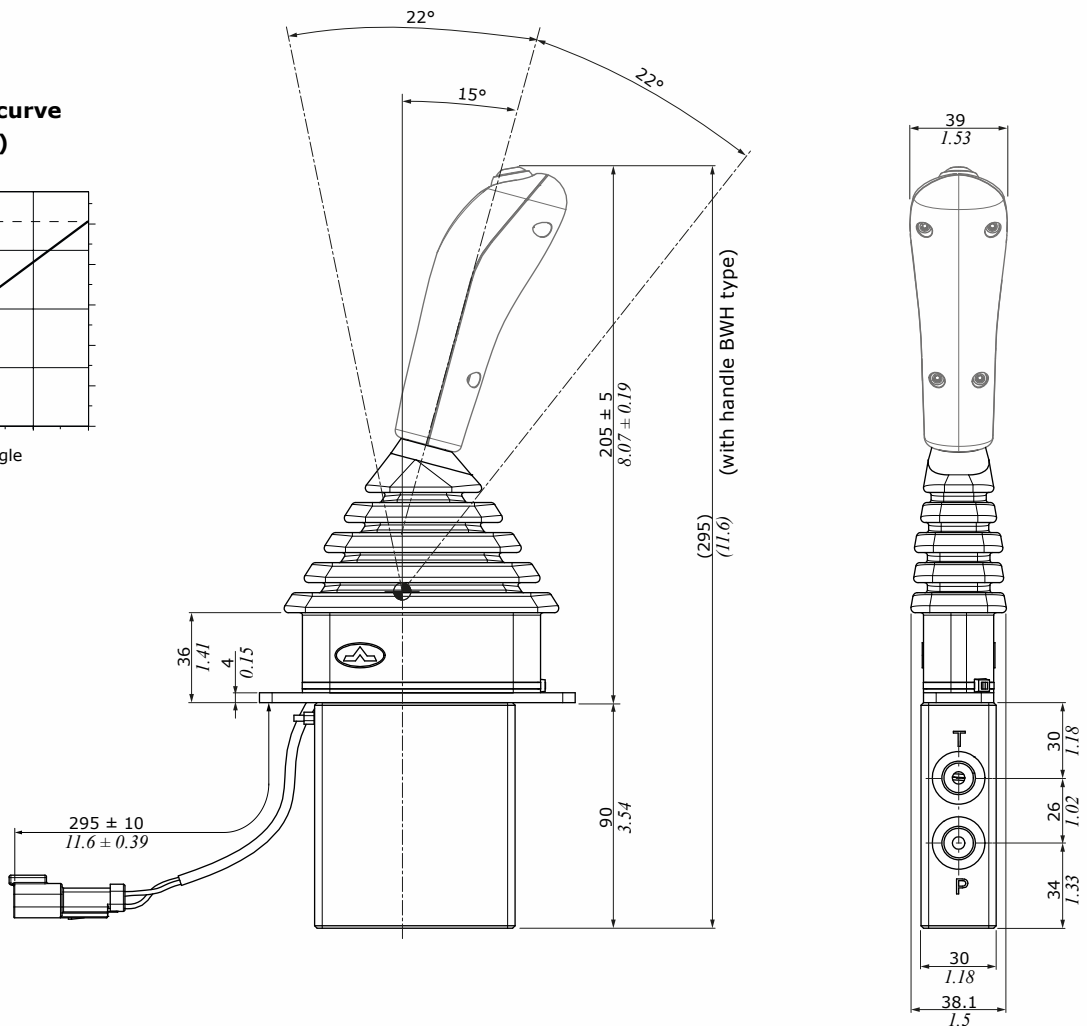
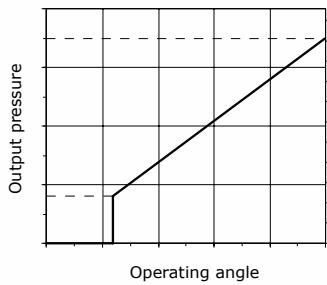
HYDRAULIC CIRCUIT



PORTS THREADING

BSP	UN-UNF
G 1/4	9/16-18 (SAE6)

Straight type curve (example)



 **walvoil**
FLUID POWER E|MOTION



D1WWCF04E - 1st edition November 2020

Walvoil S.P.A. • 42124 Reggio Emilia • Italy • Via Adige, 13/D • Tel. +39.0522.932411 • Fax +39.0522.300984
www.walvoil.com

