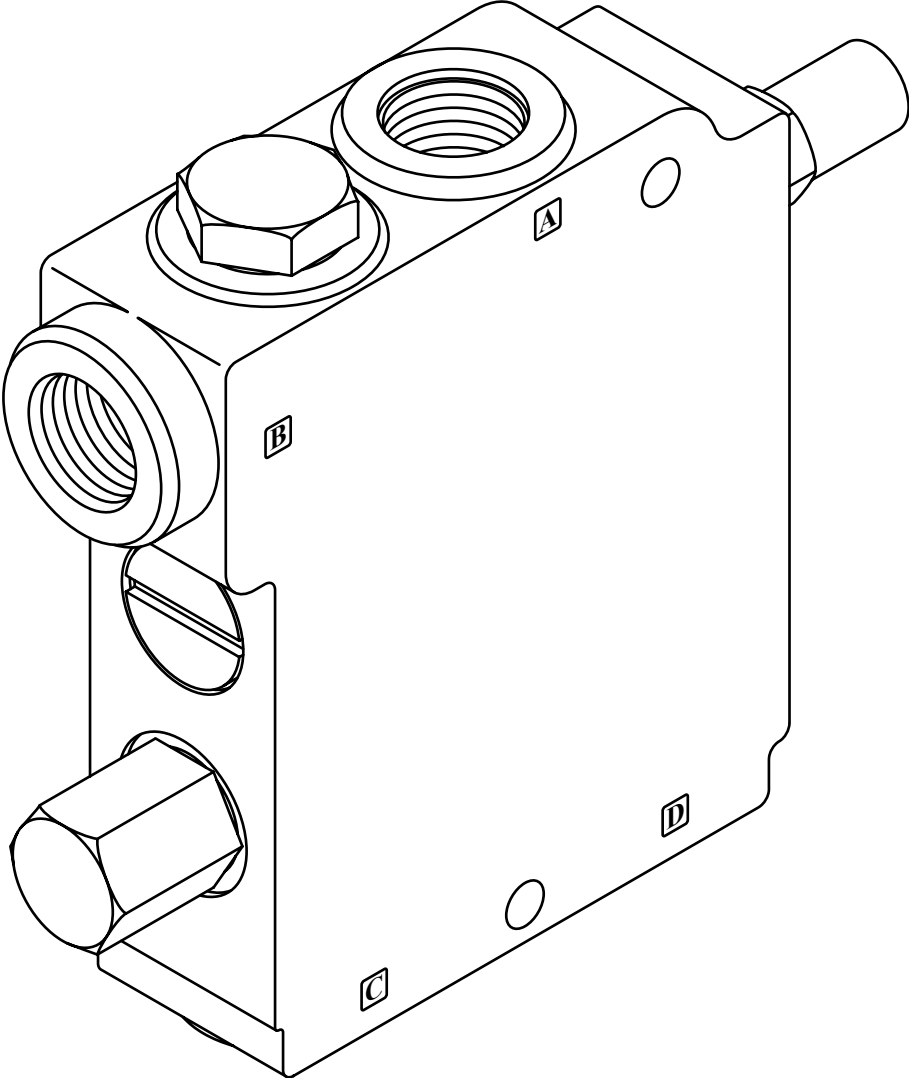


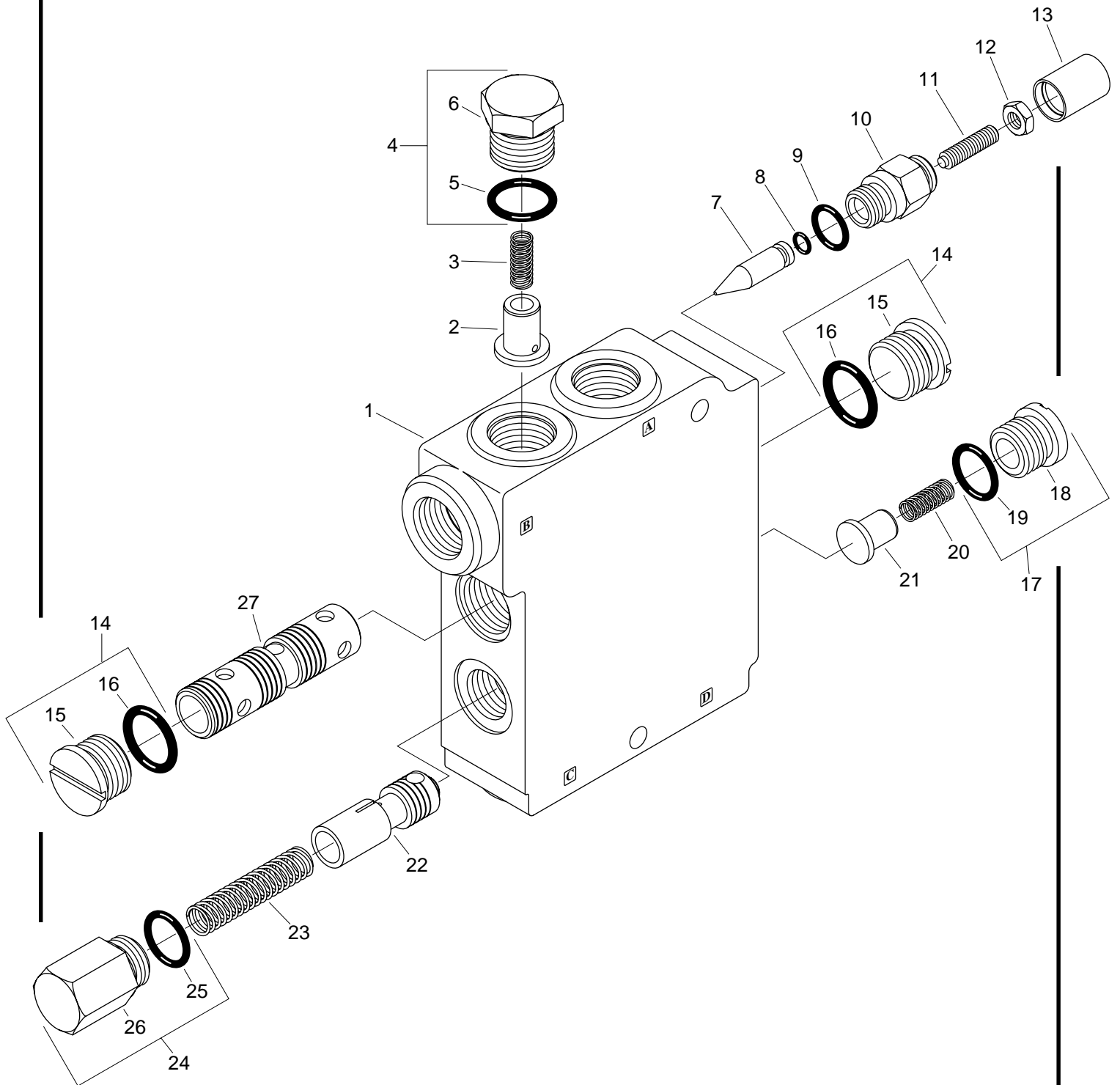
**Eaton
Hydraulics
Division**

Parts Information

39055-DAQ Self-Level Valve



Parts Drawing



Parts List

Ref. No.	Description	Part Number	Quantity
1	Body	NSS	1
2	Load Check	39055 - 329	1
3	Load Check Spring	17030 - 17	1
4	Plug Assembly	16224 - 055	1
~ 5	O-ring	16133 - 10	1
6	Plug	NSS	1
7	Pin	39055 - 322	1
~ 8	O-ring	16003 - 4 - 90	1
~ 9	O-ring	16133 - 6	1
10	Adjustment Cap	70422 - 602	1
11	Set Screw	70422 - 620	1
12	Jam Nut	16024 - 4	1
~ 13	Cover	70422 - 619	1
14	Plug Assembly	16226 - 022	2
15	Plug	NSS	2
~ 16	O-ring	16003 - 14 - 90	2
17	Plug Assembly	16227 - 024	1
18	Plug	NSS	1
~ 19	O-ring	16003 - 212 - 90	1
20	Spring	30501 - 13	1
21	Plunger	33300 - 356	1
22	Unloading Spool	NSS	1
23	Spring	17045 - 16	1
24	Plug Assembly	16224 - 053	1
~ 25	O-ring	16003 - 12 - 90	1
26	Plug	NSS	1
27	Flow Divider Spool	NSS	1
~	Seal Repair Kit	39055 - 906	

NSS Not sold separately

Eaton
Fluid Power Group
Hydraulics Business USA
14615 Lone Oak Road
Eden Prairie, MN 55344
USA
Tel: 952-937-9800
Fax: 952-294-7722
www.eaton.com/hydraulics

Eaton
Fluid Power Group
Hydraulics Business Europe
Route de la Longeraie 7
1110 Morges
Switzerland
Tel: +41 (0) 21 811 4600
Fax: +41 (0) 21 811 4601

Eaton
Fluid Power Group
Hydraulics Business Asia Pacific
11th Floor Hong Kong New World Tower
300 Huaihai Zhong Road
Shanghai 200021
China
Tel: 86-21-6387-9988
Fax: 86-21-6335-3912