

ACCUMULATOR CLAMPS

- For safely securing all types of QHP accumulator in-situ
- Sizes available to suit a wide range of vessel diameters
 - Steel assembly with rubber lining
 - Stainless or Carbon Steel options available
 - Variety of clamp styles available

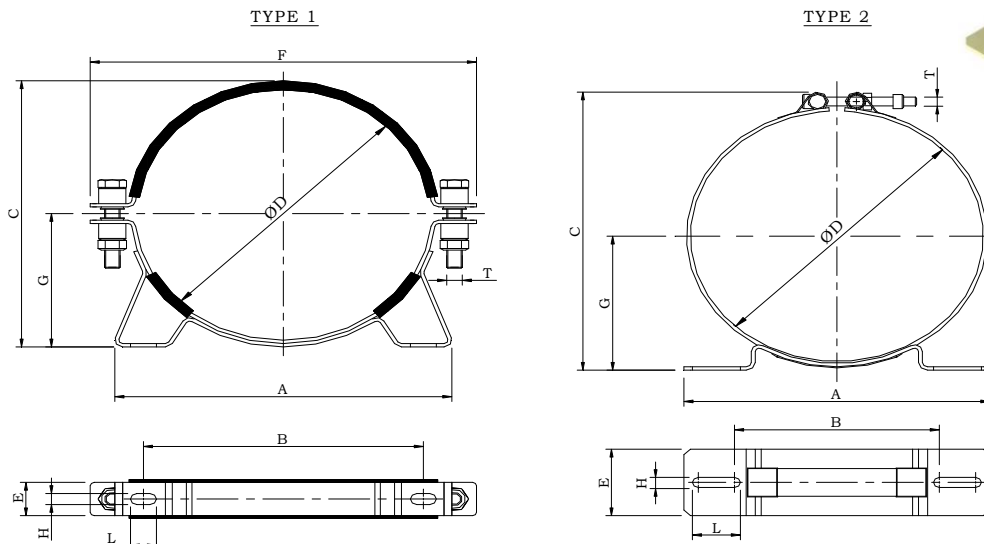


Table 1 – Stock Bladder Accumulator Clamps (Can also be used for Piston Accumulators)

Part Number	Vessel Size [Litre]	Material	Type	A [mm]	B [mm]	C max [mm]	D [mm]	E [mm]	F [mm]	G [mm]	H [mm]	L [mm]	T
300-5519	1-2	Carbon Steel	2	156	100	148	113-121	60	-	64.5-68.5	9	-	M8
300-5521	1-2	Stainless Steel	2	156	100	148	113-121	60	-	64.5-68.5	9	-	M10
300-5522	4	Carbon Steel	1	182	148	192	165-175	30	249	91-96	9	13	M12
300-5503	4	Stainless Steel	1	182	148	192	165-175	30	249	91-96	9	13	M12
300-5517	10-50	Carbon Steel	2	236	158	255	220-228	60	-	124	11	28	M8
300-5518	10-50	Stainless Steel	2	236	158	255	220-228	60	-	124	11	28	M10
300-5504	10-50	Carbon Steel	1	260	216	-	219-229	30	300	121	10	20	M12
300-5505	10-50	Stainless Steel	1	260	216	-	219-229	30	300	121	10	20	M12
020-1429	10-50	Stainless Steel	1	275	211	-	240-250	40	326	136	15	21	M12
020-1425	10-50	Stainless Steel	1	260	211	-	260-270	40	-	144	15	21	M12

BESPOKE CLAMPS AVAILABLE UPON REQUEST

CONTACT QHP LTD FOR MORE INFORMATION:

T: +44 (0) 1244 393500 | E: info@qhp.co.uk | W: www.qhp.co.uk