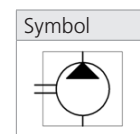



Technical Features

- › Operating pressure 200 bar, Peak pressure 250 bar
- › Cost effective design for circuits with a lower operating pressure
- › High quality aluminum alloys pump with axial play compensation
- › Service life for 1 800 operation hours
- › Volumetric efficiency up to 96 %


Technical Data

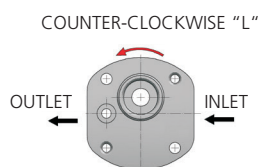
Nominal Size Parameters	Symbol	Unit	Displacement					
			Code	0,25	0,32	0,40	0,50	0,63
Actual displacement	V _g	[cm ³]	0,26	0,32	0,38	0,50	0,65	0,88
		[in ³]	0.0159	0.020	0.023	0.031	0.040	0.054
Rotation speed	nominal	n _n	1500					
	minimum	n _{min}	1000					
	maximum	n _{max}	7000					
Pressure at inlet	minimum	p _{1min}	-0,3 (-4.4 PSI)					
	maximum	p _{1max}	0,5 (7.3 PSI)					
Pressure at outlet	max. continuous	p _{2n}	200					
		[PSI]	2901					
	maximum	p _{2max}	230					
		[PSI]	3336					
	peak	p ₃	250					
		[PSI]	3626					
Weight	m	[kg]	0,37	0,38	0,38	0,38	0,39	0,40
		[lbs]	0.82	0.84	0.84	0.84	0.86	0.88

- 1) p_{2n} maximum continuous pressure - maximum working pressure, at which the pump can be operated without time limitation.
- 2) p_{2max} maximum pressure - maximum pressure permissible for a short time, max. 20 s.
- 3) p₃ peak pressure - short-time pressure (fractions of a second) arising in case of a sudden change of the operating mode; any excess of this pressure during operation is impermissible.

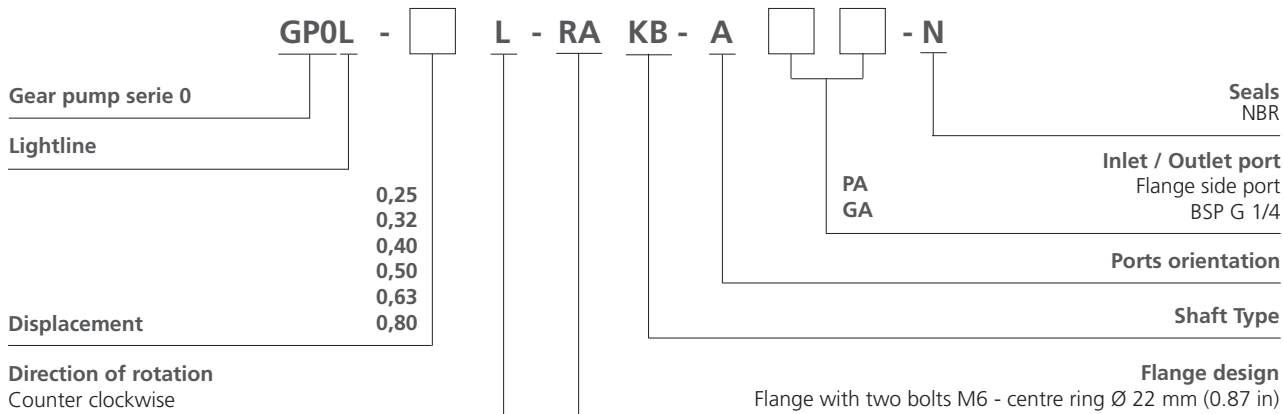
Gear Pump / Size		GPOL - 0,26 ... 0,88 ccm
Volumetric efficiency	%	89 ÷ 96
Mechanical efficiency	%	85
Fluid temperature range (NBR)	°C (°F)	-20...80 (-4...176)
Viscosity range	mm ² /s (SUS)	20 ...80 (97 ...390), 1200 (5849) for cold start
Hydraulic fluid		Hydraulic oils of power classes (HL, HLP) to DIN 51524
Max. degree of fluid contamination for p ₂ ≤ 200 bar		Class 21/18/15 acc. to ISO 4406
Max. degree of fluid contamination for p ₂ ≥ 200 bar		Class 20/17/14 acc. to ISO 4406

Direction of rotation

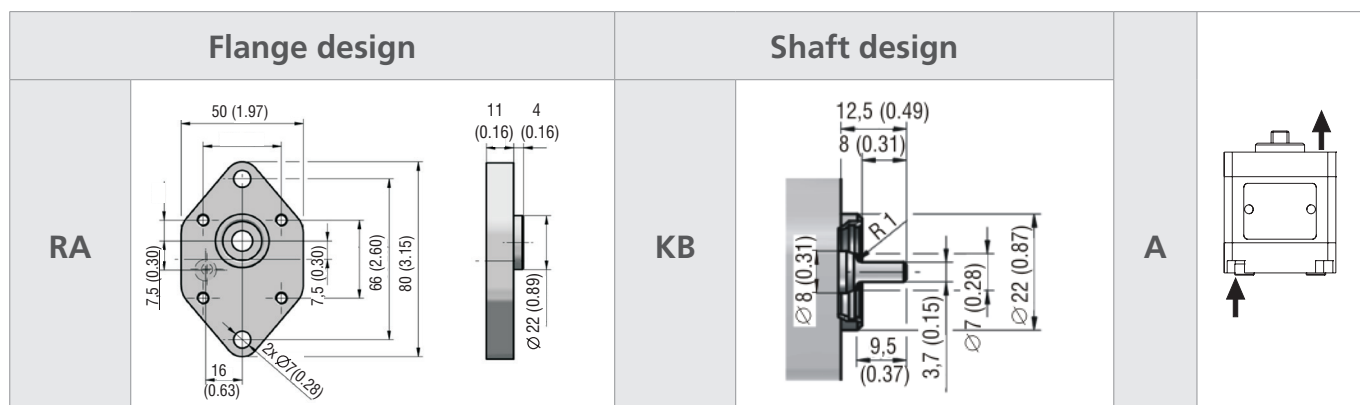
The pump can be used only in the specified direction of rotation.



Ordering Code

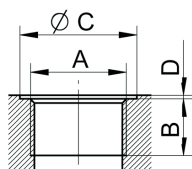


Combination of Flange and Shafts and Port orientation in millimeters (inches)



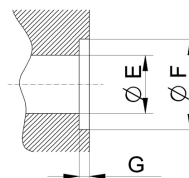
Ports design in millimeters (inches)

Dimensions of thread



Displacement [cm ³ (in ³)]	Code	Inlet / Outlet		
		A	B	C
All	GA	G1/4	12 (0.47)	26 (1.02)

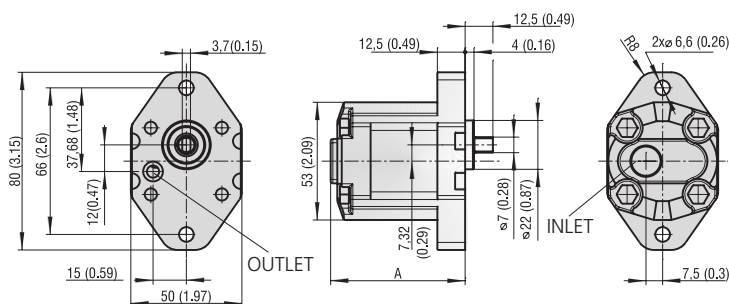
Inlet / outlet



Displacement [cm ³ (in ³)]	Code	Inlet / Outlet		
		E	F	G
All	PA	5,5 (0.22)	8,9 (0.35)	1,1 (0.04)

Pump design in millimeters (inches)

GPOL-*L-RAKB-AGAPA-N



Ordering Code	Displacement [cm ³ (in ³)/rev]	A
GPOL-0,25L-RAKB-AGAPA-N	0,26 (0.016)	60,7
GPOL-0,32L-RAKB-AGAPA-N	0,32 (0.020)	61,1
GPOL-0,40L-RAKB-AGAPA-N	0,38 (0.023)	61,5
GPOL-0,50L-RAKB-AGAPA-N	0,50 (0.031)	62,5
GPOL-0,63L-RAKB-AGAPA-N	0,65 (0.040)	63,5
GPOL-0,80L-RAKB-AGAPA-N	0,88 (0.054)	65,5