

Hand pumps type H, HE, HD, and DH

The hand pumps type H are available in single acting and double acting versions. The single acting design pumps in one lever direction only, the reverse motion performs the suction stroke. The double acting design pumps and intakes simultaneously in both lever directions. In one particular design, the suction side may be charged with up to 150 bar. The lever mechanism may be protected from harsh environments if desired, and may incorporate a drain valve (connecting P → S), a pressure limiting valve or a tank. These additional options enable the use of this pump in a wide array of application.

Features and benefits:

- Sturdy design
- Hand pumps with integrated tank
- Safety and drain valve

Intended applications:

- Ship building
- Mining machinery
- Jigs
- Test and laboratory equipment



Nomenclature:	Piston pump
Design:	Single acting hand pump Double acting hand pump
p_{max}:	80 ... 800 bar
V_{max}:	4 ... 64 cm ³ /stroke

Design and order coding example

HD 13 AS - K 0,5 - 110

|
|
|
|
|

Pressure setting (bar) Usable volume V_{use}. 0,35 l and 0,5 l

With/without tank

Additional elements

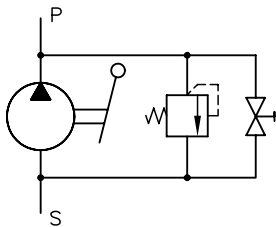
- Drain valve (A)
- Pressure limiting valve (tool or manually adjustable) (S)

Basic type, size

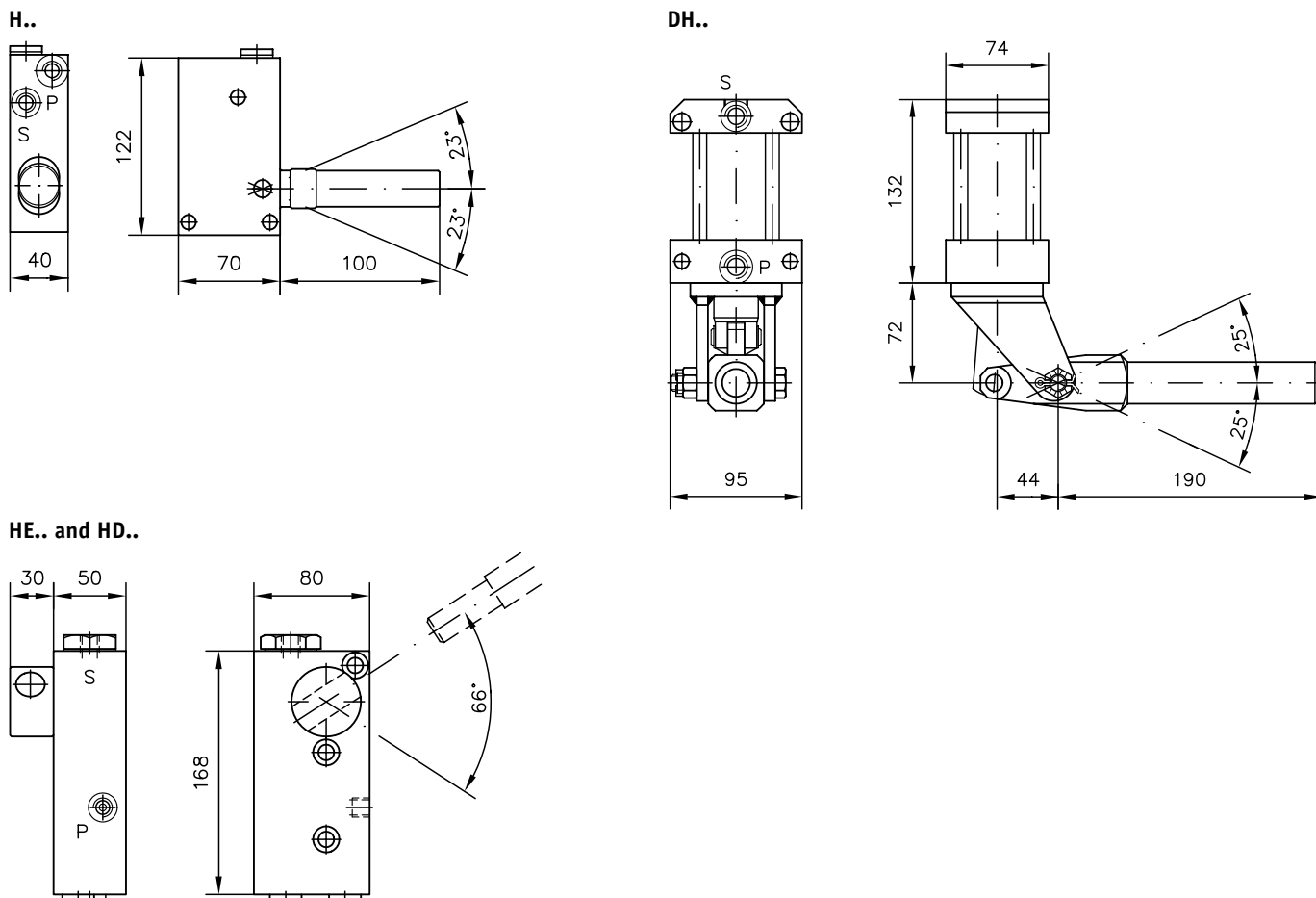
- Type H (single acting, open design),
- Type HE (single acting, encapsulated design)
- Type DH (double acting, open design)
- Type HD (double acting, encapsulated design)
- With/without pressure resistant suction port
- Version for manifold mounting

Function

Design with pressure limiting valve and drain valve



General parameters and dimensions



	p _{max} [bar]	V _{max} [cm ³ /stroke]	Tapped ports (BSPP)		m [kg]
			P	S	
H 16	350	6	G 1/4	G 1/4	3.1
H 20	220	9.4			
H 25	150	14.7			
HE 3	800	3	G 1/4	G 1/4 and G 3/8	4.8
HE 4	600	4			
HD 13	350	13			
HD 20	220	20			
HD 30	150	30	G 3/8	G 3/8	6.2 ... 6.6
DH 40	150	51			
DH 45	100	64			

Associated technical data sheets:

- Hand pumps type H: **D 7147/1**

See also section "Devices for special applications":

- Devices for up to 700 bar