

# Hydraulic accessories

## Hydraulic miniature accumulators type AC

The hydraulic accumulators type AC are available in two categories. The hydraulic miniature accumulators with a capacity of 0.013 dm<sup>3</sup> and 0.040 dm<sup>3</sup> are used for applications including clamping hydraulics for volume compensation in the event of temperature fluctuations, covering possible oil losses due to leakage or oscillation damping of functional parts activated by pressure difference.

The diaphragm accumulators with a capacity of up to 3.5 dm<sup>3</sup> are primarily used as a source of pressure oil for supporting/increasing the pump delivery flow and storing pressure energy, in order to achieve an accumulator charging circuit, for example. Various fittings enable the integration of a hydraulic system in different installation positions and at different installation points.

### Features and benefits:

- Compact design
- Option of integration into the HAWE modular system
- Operating pressures up to 500 bar

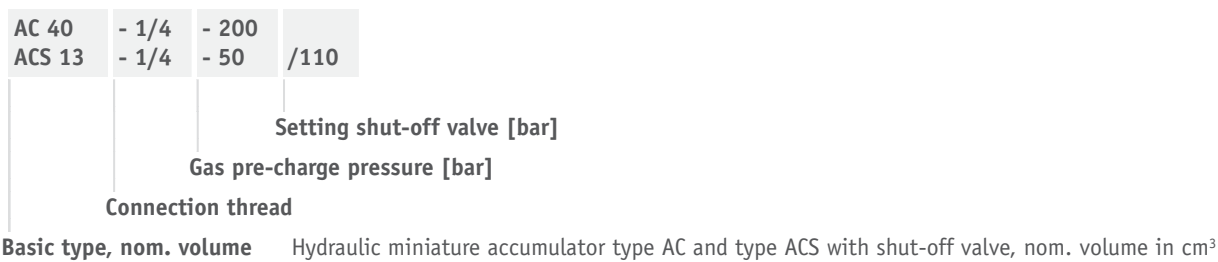
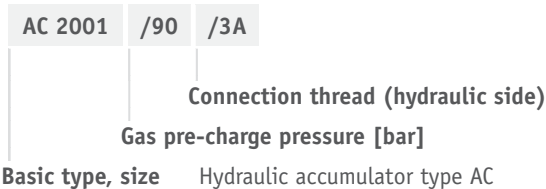
### Intended applications:

- Clamping systems
- Jigs
- Accumulator charging systems



<b>Nomenclature:</b>	Hydro-pneumatic accumulator
<b>Design:</b>	Screw-in version
<b>p<sub>max</sub>:</b>	500 bar
<b>V<sub>max</sub>:</b>	1,95 dm <sup>3</sup>

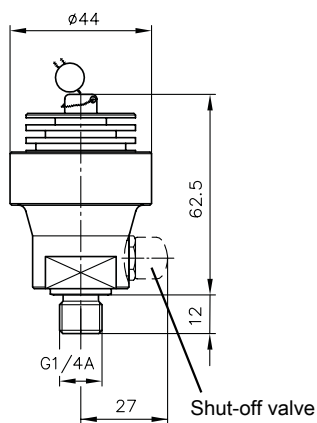
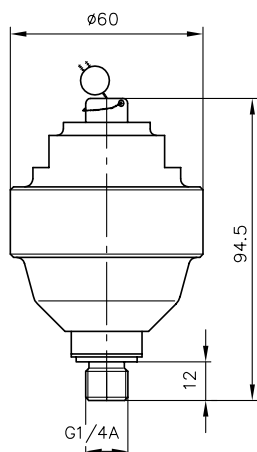
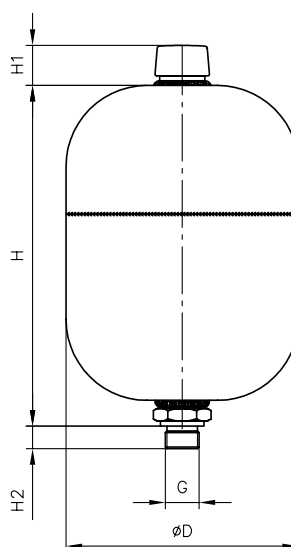
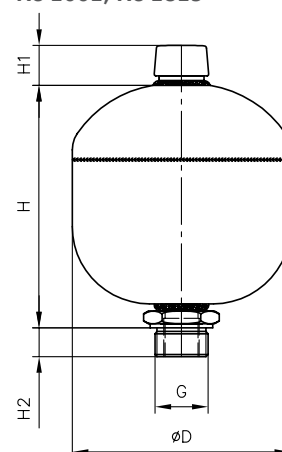
### Design and order coding example



### Function

AC



**General parameters and dimensions**
**AC(S) 13 - 1/4**

**AC 40 - 1/4**

**AC 0725, AC 202, AC 322**

**AC 603, AC 1002, AC 1414,  
AC 2002, AC 2825**


	V <sub>0</sub> [dm <sup>3</sup> ]	p <sub>max</sub> [bar]	Max. gas filling pressure p <sub>0</sub> [bar]	Ports (BSPP)	Dimensions [mm]				m [kg]
					H	H1	H2	D	
<b>Hydraulic miniature accumulator</b>									
AC 13-1/4	0.013	500	250	G 1/4 A	see illustration				0.3
ACS 13-1/4	0.013	500	250	G 1/4 A	see illustration				0.3
AC 40-1/4	0.040	400	250	G 1/4 A	see illustration				0.65
<b>Hydraulic accumulator</b>									
AC 0725/1A	0.075	250	130	G 1/4 A	81	26.5	12	64	0.6
AC 202/3	0.16	250	130	G 3/8 A	102	26.5	-	74	0.8
AC 322/3A	0.32	210	140	G 1/2 A	101.5	25	12	92.5	1.4
AC 603/3	0.6	330	200	G 1/2	149	23	-	115	3.3
AC 1002/22	1.0	210	140	M 22 x 1,5	151	25	18	136	3.5
AC 1414/2A	1.4	140	120	G 3/8 A	162	25	18	147	4.2
AC 2002/4	1.95	250	140	G 3/4	229	25	-	155	7.5
AC 2825/2AW	2.8	250	130	G 3/8 A	246	26.5	18	167	8.2

**Associated technical data sheets:**

- Hydraulic miniature accumulators type AC: [D 7571](#)
- Diaphragm accumulator type AC: [D 7969](#)

**Hydraulic accessories:**

- Fittings type X84: [D 7077](#)

**Similar products:**

- Piston type accumulator type HPS: [D 7969 HPS](#)