

# REVERSIBLE NANOPACKS

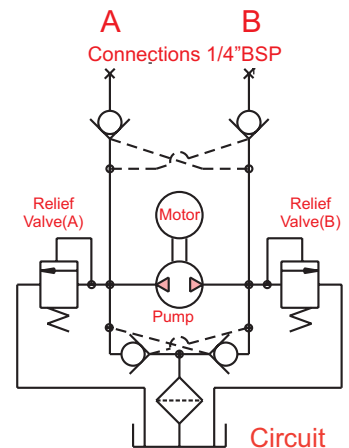
## 12V 35W DC Motor



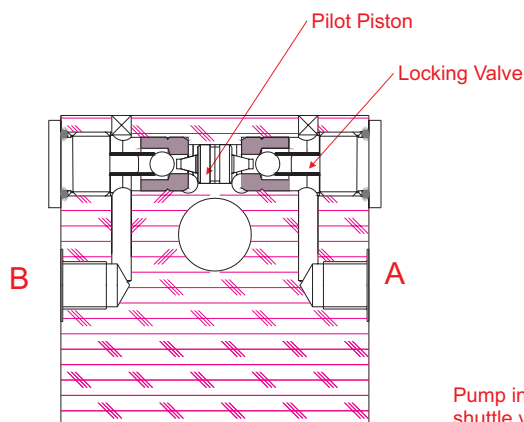
Versatile range of nano power units for mobile and small industrial applications. Flows to 0,5l/min; Pressures to 25bar  
Motors 35W dc  
Pump sizes 0,25 and 0,50 cc /rev

### FEATURES

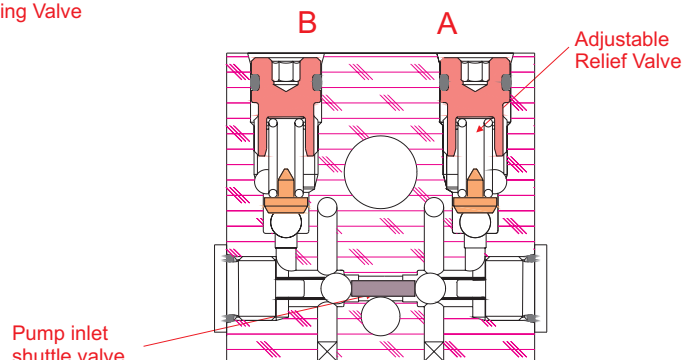
- Low-friction gear pumps
- Integral pilot checks & port RV's
- Reversible action eliminates directional valve
- Quiet operation with long life
- Easy to install with integral mounting points
- Wide range of options
- Customised OEM versions available
- Global support & servicing



Circuit Diagram



Section through **Nanopack** showing (top) Integral Pilot Checks.



Secondary section through **Nanopack** showing Integral Relief Valves allowing individual pressure setting for each port. Below, the suction valve shuttle which allows oil to circulate through the pump.

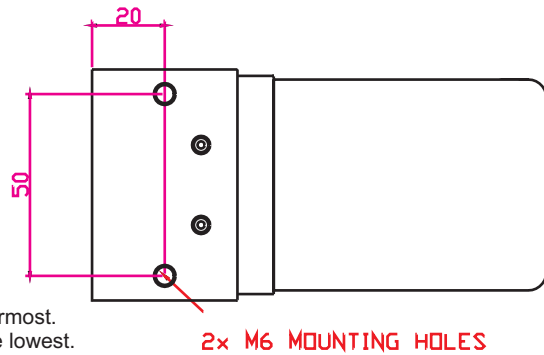
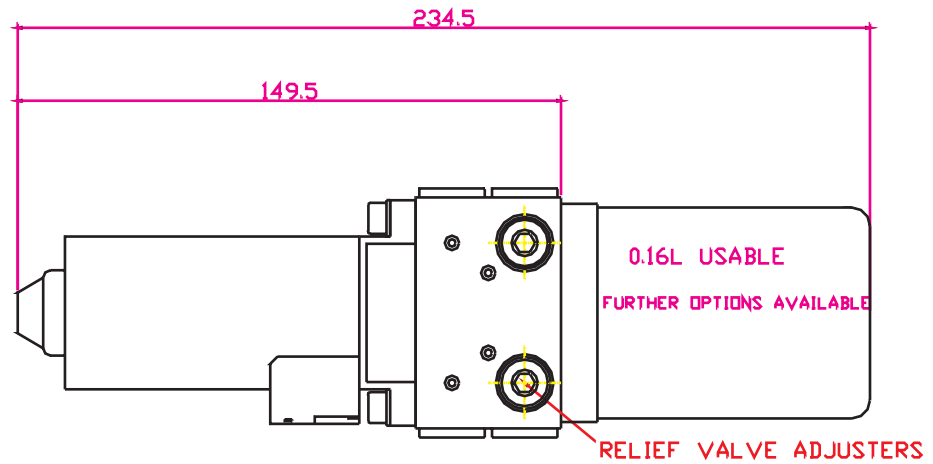
**fluidlink**  
HYDRAULICS

9 Harris Road  
Porte Marsh Industrial Estate  
Calne  
Wiltshire, SN11 9PT

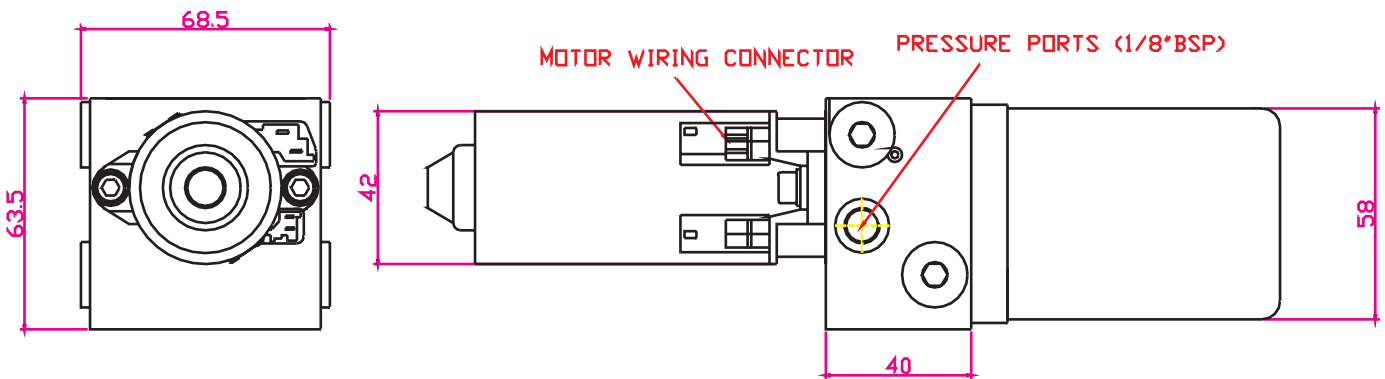
(T) 01249 818555  
(F) 01249 818666  
www.fluidlink.co.uk

# REVERSIBLE NANOPACKS

## 12V 35W DC Motor



Underside of **Nanopack** (0.16L Tank shown)  
Note - When used vertically tank must be uppermost.  
When used horizontally, mounting face must be lowest.



**fluidlink**  
HYDRAULICS

9 Harris Road  
Porte Marsh Industrial Estate  
Calne  
Wiltshire, SN11 9PT

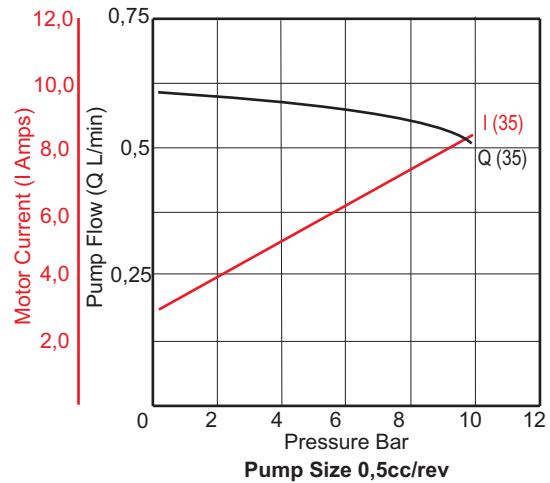
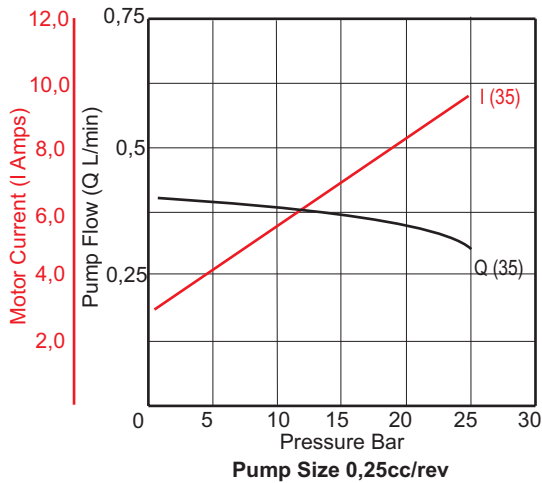
(T) 01249 818555  
(F) 01249 818666  
[www.fluidlink.co.uk](http://www.fluidlink.co.uk)

# PERFORMANCE DATA REVERSIBLE NANOPACKS

## 12V 35W DC Motor

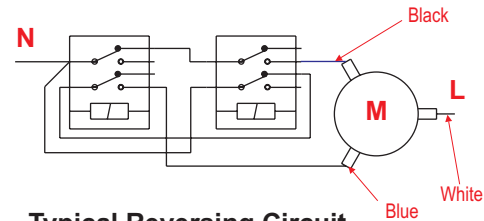
Nominal performance of pack combinations at constant voltage and at nominal 20°-25° C with ISO VG22 oil.

**Key to diagrams:-**  (Black) Flow rate (Q)  
 (Red) Current (A)



### Run Time:

Note - The 12V 35W motor is fitted with thermal protection but depending on application should not be run longer than 2mins. Please contact for further assistance.



### Typical Reversing Circuit

The use of two interlocked relays will reduce the danger of having both inputs "live" at the same time. Motor EARTH wire must be connected. Consult a qualified electrician for component specifications.

### Installation, Operation, Commissioning

If mounting vertically, the tank must be uppermost. Tanks must normally be vented to atmosphere. The volume is reduced if used unvented due to the need for air space.

**Reversible Operation.** The motor may be reversed using the circuit above as a guide. Beware that the un-connected lead will be "live" when the motor is running.

**Priming.** Reversible packs can appear not to work when first commissioned. Invariably they will need air bleeding from the pump suction valves. Loosen the lower side plugs while the pack is running until all the trapped air has bubbled out. This will not be needed again unless oil is lost from the pack.