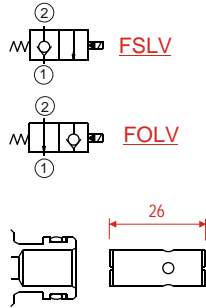
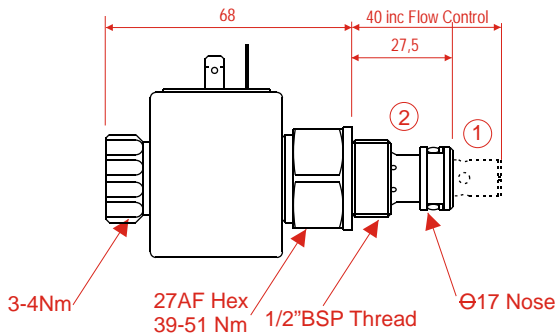


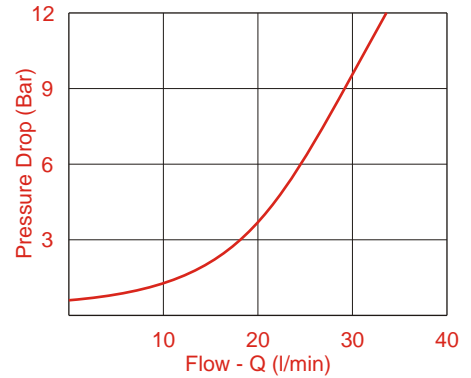
Mk3D POWER PACKS

Lowering Valves

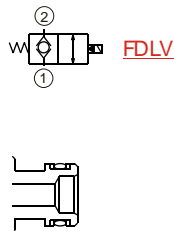
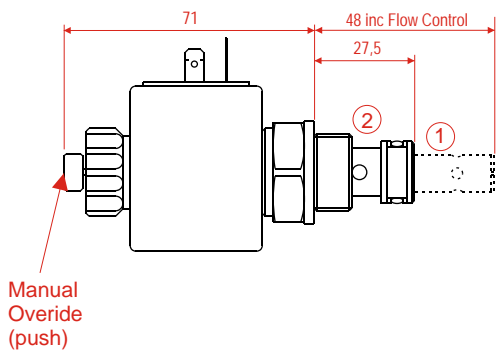
FSLV-G-** & FOLV-G-** Lowering Valves



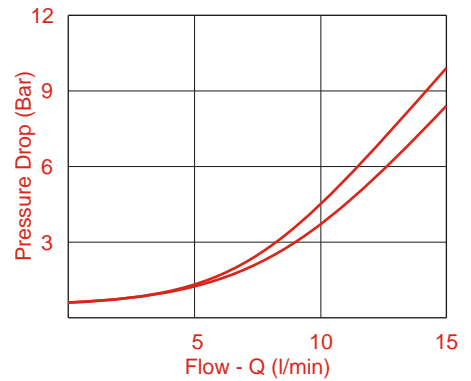
Scrap section of valve nose showing Flow Control recess and correct direction for flow control insert.



FDLV-G-** Lowering Valves



Scrap section of FDLV nose showing shallower recess.



Mk3 LOWERING VALVES - ORDERING CODES

F S L V	G	- 1 2	H																																					
Valve Type	Valve Size to fit G ¹ / ₂ cavity	Coil Voltage	Coil Connection																																					
<table border="1"> <tr><td>F</td><td>S</td><td>L</td><td>V</td><td>N. Closed</td></tr> <tr><td>F</td><td>O</td><td>L</td><td>V</td><td>N. Open</td></tr> <tr><td>F</td><td>D</td><td>L</td><td>V</td><td>Dble Lock</td></tr> </table>	F	S	L	V	N. Closed	F	O	L	V	N. Open	F	D	L	V	Dble Lock	<table border="1"> <tr><td>G</td><td>Cartridge</td></tr> <tr><td>N</td><td>Coil Only</td></tr> </table>	G	Cartridge	N	Coil Only	<table border="1"> <tr><td>12</td><td>12V dc</td></tr> <tr><td>24</td><td>24V dc</td></tr> <tr><td>110</td><td>110.50 Hz</td></tr> <tr><td>230</td><td>230.50 Hz</td></tr> <tr><td>NN</td><td>No Coil</td></tr> </table>	12	12V dc	24	24V dc	110	110.50 Hz	230	230.50 Hz	NN	No Coil	<table border="1"> <tr><td>H</td><td>DIN 43650 Connector</td></tr> <tr><td>F</td><td>Flying Lead (dc only)</td></tr> <tr><td>X</td><td>Rectified Connector</td></tr> <tr><td>N</td><td>No Connector</td></tr> </table>	H	DIN 43650 Connector	F	Flying Lead (dc only)	X	Rectified Connector	N	No Connector
F	S	L	V	N. Closed																																				
F	O	L	V	N. Open																																				
F	D	L	V	Dble Lock																																				
G	Cartridge																																							
N	Coil Only																																							
12	12V dc																																							
24	24V dc																																							
110	110.50 Hz																																							
230	230.50 Hz																																							
NN	No Coil																																							
H	DIN 43650 Connector																																							
F	Flying Lead (dc only)																																							
X	Rectified Connector																																							
N	No Connector																																							
<p>The products are subject to development and the manufacturer reserves the right to change the specifications without notice</p>																																								

Mk3D POWER PACKS

Lowering Valves

TECHNICAL DATA

	FSLV & FOLV	FDLV
Maximum Operating Pressure	350 Bar	210 Bar
Rated Flow	30 l/min	15 l/min
Cavity (see drg for full details)	G1/2	G1/2
Weight (inc coil)	0,33kg	0,33kg
Ambient Temperature range	-20°C to + 50°C	-20°C to + 50°C
Coil Insulation Class	"F" 155°C	"F" 155°C
Coil voltage tolerance	-10% to +10%	-10% to +10%
Nominal Coil Power	17W	17W
Internal Leakage	<5 drops/min	<5 drops/min
Filtration	25 micron or better	25 micron or better

Notes

Valves are designed to fit the lowering valve cavity of Mk3, Slimline and Autopacks.
They can also be supplied in standard threaded bodies for circuit use (see separate data sheet)
Coils are interchangeable across the range.

Cavity Detail

